



T&S BRASS AND BRONZE WORKS, INC.
 2 Saddleback Cove / P.O. Box 1088
 Travelers Rest, SC 29690

Model No.
B-1125-XS-HM

Item No.

Travelers Rest, SC: 800-476-4103 • Simi Valley, CA: 800-423-0150 • Fax: 864-834-3518 • www.tsbrass.com



ADA Compliant

This Space for Architect/Engineer Approval

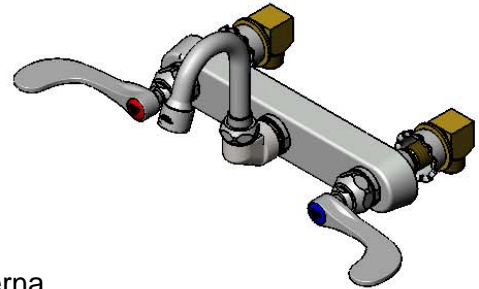
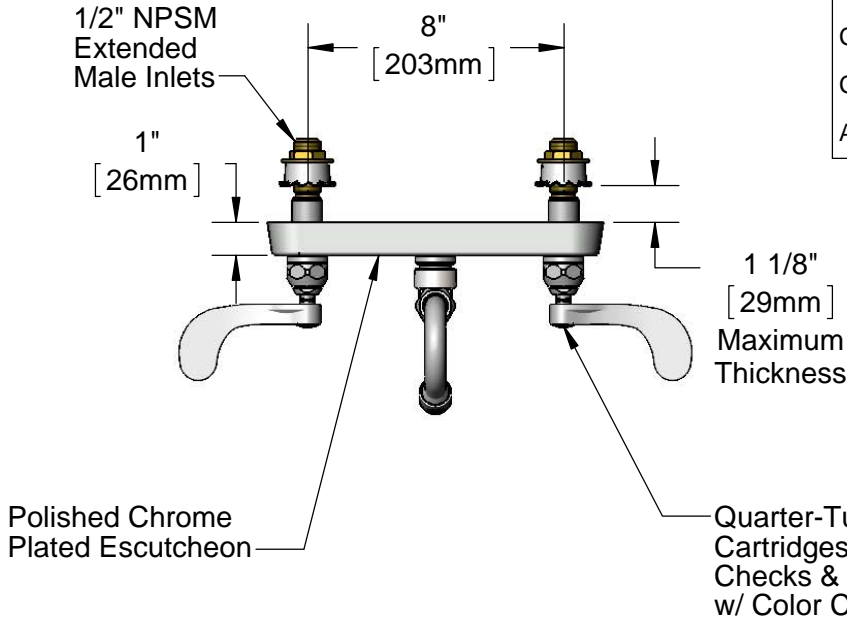
Job Name _____ Date _____

Model Specified _____ Quantity _____

Customer/Wholesaler _____

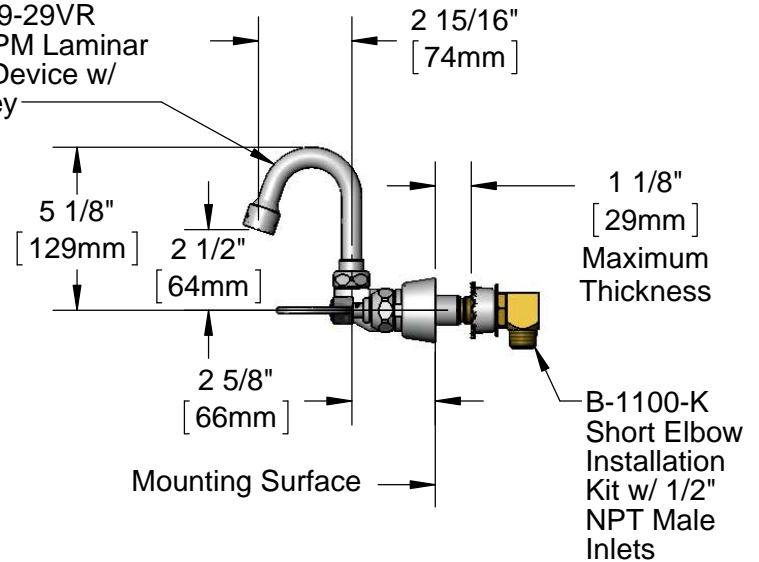
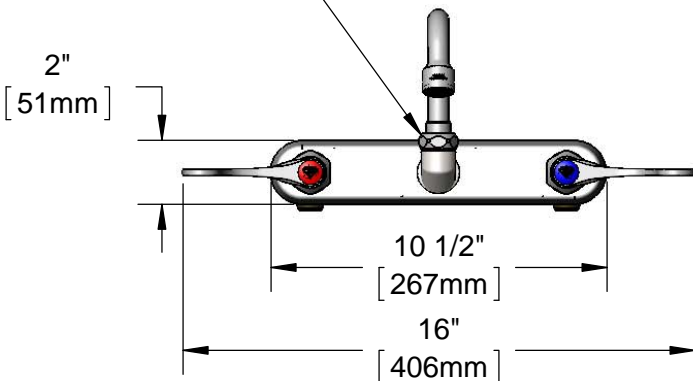
Contractor _____

Architect/Engineer _____



Swivel Joint Converts to Rigid w/ 014200-45 Lock Washer (Included)

2 15/16" Swivel Gooseneck w/ B-0199-29VR 1.5 GPM Laminar Flow Device w/ VR Key



Rough-In Requirement:
 (2) \varnothing 1" [25mm] Mounting Holes

Product Specifications:
 8" Wall Mount Workboard Faucet, Quarter-Turn Eterna Cartridges w/ Spring Checks, 4" Wrist Action Handles, 2 15/16" Swivel Gooseneck, 2.2 GPM Aerator, 1/2" NPSM Extended Male Inlets w/ Short Elbow Installation Kit

Product Compliance:
 ASME A112.18.1 / CSA B125.1
 NSF 61 - Section 9
 NSF 372 (Low Lead Content)
 ANSI A117.1 (ADA)



T&S BRASS AND BRONZE WORKS, INC.

2 Saddleback Cove / P.O. Box 1088
Travelers Rest, SC 29690

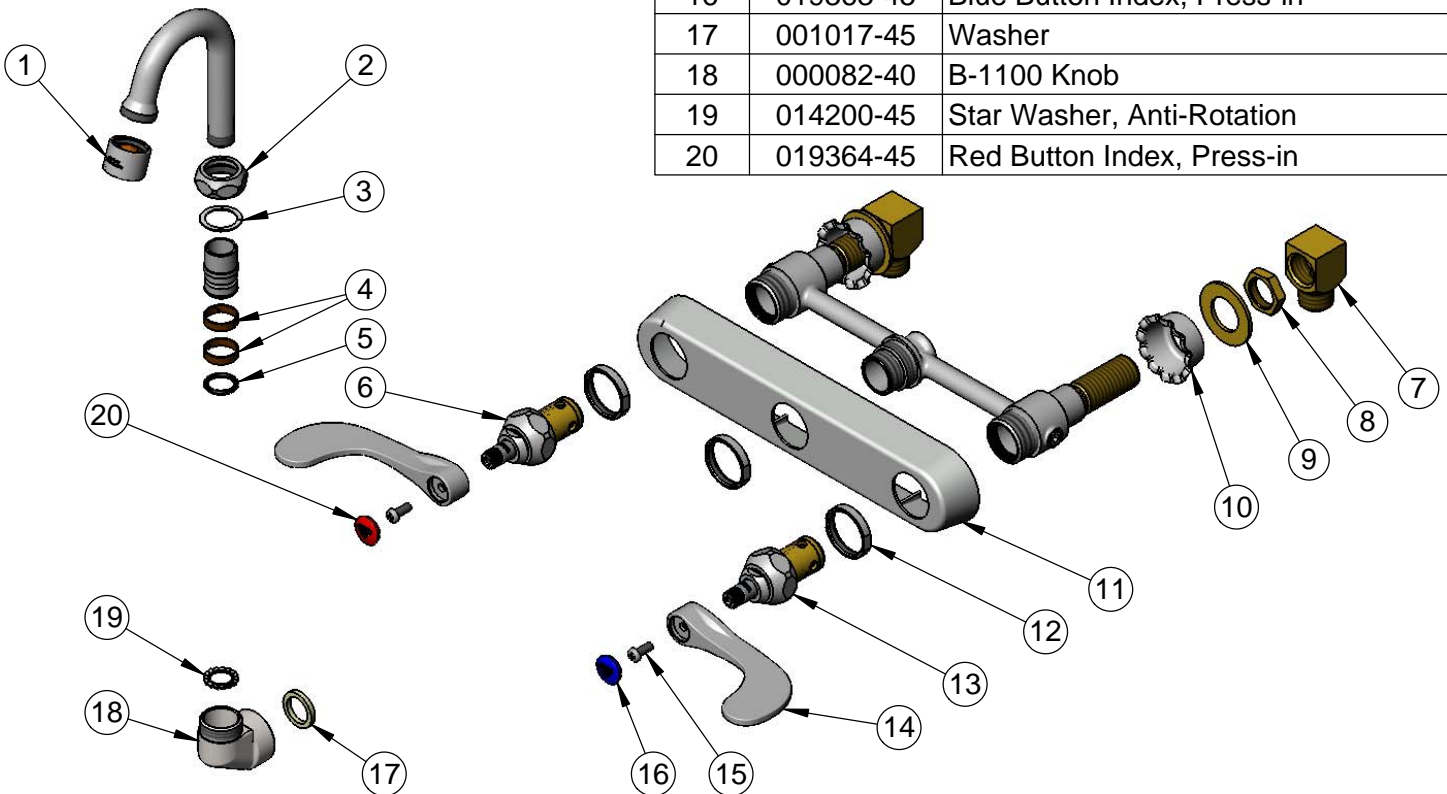
Model No.

B-1125-XS-HM

Item No.

Travelers Rest, SC: 800-476-4103 • Simi Valley, CA: 800-423-0150 • Fax: 864-834-3518 • www.tsbrass.com

ITEM NO.	SALES NO.	DESCRIPTION
1	B-0199-29VR	1.5 GPM VR Laminar Flow Device w/ VR Key
2	019360-40	Swivel Nut (New Style)
3	009538-45	Swivel Washer
4	011429-45	Swivel Sleeves (2)
5	001074-45	O-Ring
6	019382-40	Quarter-Turn New Style Eterna Cartridge w/ Spring Check, LTC
7	B-1100-K	1/2" NPT Male x Female Short Elbow Kit
8	002954-45	Shank Lock Nut
9	000999-45	Brass Lock Washer
10	001000-45	Rosette Washer
11	019375-40	B-1120 Eterna Workboard Escutcheon
12	019376-40	Escutcheon Lock Nut
13	019383-40	Quarter-Turn New Style Eterna Cartridge w/ Spring Check, RTC
14	019362-45	Wrist Action Handle (New Style)
15	000925-45	Lab Handle Screw
16	019363-45	Blue Button Index, Press-in
17	001017-45	Washer
18	000082-40	B-1100 Knob
19	014200-45	Star Washer, Anti-Rotation
20	019364-45	Red Button Index, Press-in



Product Specifications:

8" Wall Mount Workboard Faucet, Quarter-Turn Eterna Cartridges w/ Spring Checks, 4" Wrist Action Handles, 2 15/16" Swivel Gooseneck, 2.2 GPM Aerator, 1/2" NPSM Extended Male Inlets w/ Short Elbow Installation Kit

Product Compliance:

ASME A112.18.1 / CSA B125.1
NSF 61 - Section 9
NSF 372 (Low Lead Content)
ANSI A117.1 (ADA)